

**Digital positioner EPS33**



**EPS33**

Digital positioner EPS33 for exact controlling of the valve travel, concerning to the given controller input signal 4 - 20 mA.

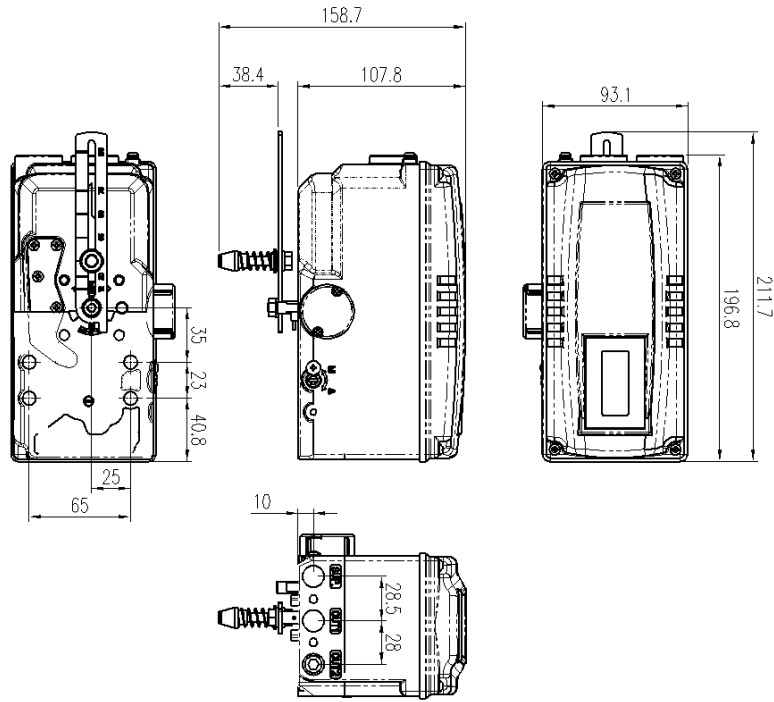
Type		EPS33
Input Signal	mA	4 up to 20 mA DC
Supply Pressure	MPa	0,14 up to 0,7 MPa (1,4 up to 7 bar)
Travel	mm	20 up to 150 mm
Impedance	Ohm	Max. 450 Ohm at 20mA DC
Air Connection	inch	PT(NPT) 1/4
Gauge Connection	inch	PT(NPT) 1/8
Conduit Entry	inch	PF 1/2 (G 1/2)
Repeatability		±0,3 % F.S.
Ambient Temperature	°C	-30°C up to 85°C
Linearity		±0,5 % F.S.
Hysteresis		±0,5 % F.S.
Sensitivity		±0,2 % F.S.
Air Consumption	LPM	Below 2 LPM (sup = 0,14 MPa)
Flow Capacity	LPM	70 LPM
Output Characteristic		Linear, Equal percentage, Open-Close, User Set (16 point)
Material		Aluminum Diecasting
Protection Grade		IP66
Weight	kg	2 kg

Accessories:	
	Manometer (1 piece)
	Feedback Signal 4-20 mA

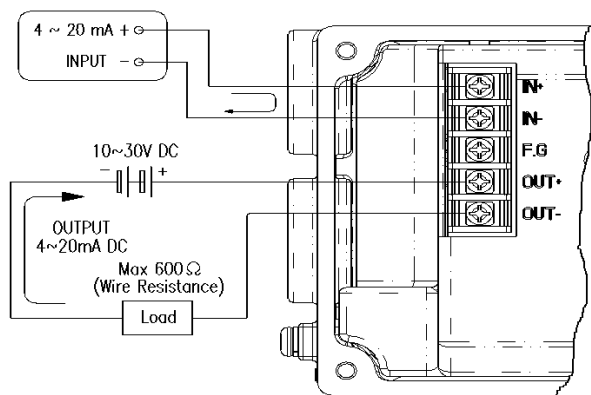
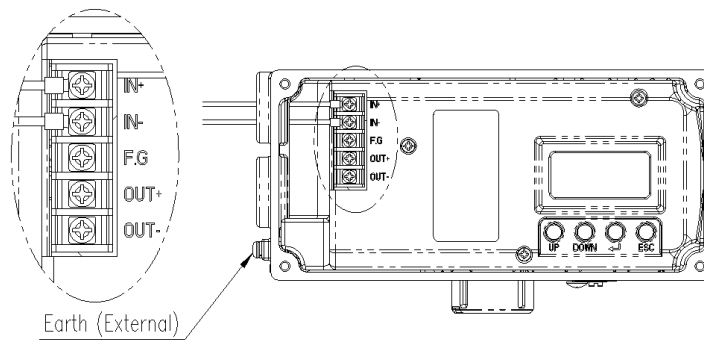
**Features**

- Automatic initialisation
- LCD-Display
- Feedback signal (optional)
- Manometer set (optional)
- Automatic / manual operation, switchable
- 4 push buttons for manual operation

## Dimensions



## Terminal Overview



### Positioner Terminal

IN +:	Input Signal (+)
IN -:	Input Signal (-)
FG:	Ground
OUT+:	Feedback Signal (+)
OUT-:	Feedback Signal (-)



**Technology for the Future.**  
GERMAN QUALITY VALVES

ARI-Armaturen Albert Richter GmbH & Co. KG, D-33756 Schloß Holte-Stukenbrock,

Tel. +49 52 07 / 994-0, Telefax +49 52 07 / 994-158 or 159 Internet: <http://www.ari-armaturen.com> E-mail: [info.vertrieb@ari-armaturen.com](mailto:info.vertrieb@ari-armaturen.com)